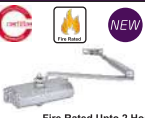





Door Closers		Description	Weight	Finish	Std. Pkg.
				SS	
FR 80	 <p>Fire Rated Upto 2 Hours</p>	Door Closer	80 Kg	2810	10
				SS	

SS Grade 304	 <p>Fire Rated Upto 2 Hours</p>	SS 2 Ball Bearing Hinges (with screw)	Size	Code	Finish	Std. Pkg.
					SS	
			102 X 76 X 2.5MM	HG 1151 A	430	40
			127 X 76 X 2.5MM	HG 1152 A	510	40
			102 X 76 X 3MM	HG 1153 A	480	40
			127 X 76 X 3MM	HG 1154 A	575	40

For Steel Door	 <p>Fire Rated Upto 2 Hours</p>	SS 2 Ball Bearing Hinges (with screw)	Size	Code	Finish	Std. Pkg.
					SS	
			102x76x3mm	HG 1253	460	40

SS Grade 304	 <p>Fire Rated Upto 2 Hours</p>	SS 2 Ball Bearing Hinges (with screw)	Size	Code	Finish	Std. Pkg.
					SS	
			127 X 76 X 2.5MM	HGRC1152 A	525	40
			102 X 76 X 3MM	HGRC1153 A	490	40








ML 100 FR



FR 80



TWO BALL BEARING HINGES




PIN TYPE HINGES





ML 100 L FR





PULL HANDLE


SS 2 Ball Bearing Hinges (with screw)	Size	Code	Finish	Std. Pkg.
			SS	
	76 X 64 X 2MM	HG 1150	220	40
	102 X 76 X 2.5MM	HG 1151	360	40
	127 X 76 X 2.5MM	HG 1152	420	40
	102 X 76 X 3MM	HG 1153	390	40
	127 X 76 X 3MM	HG 1154	465	40


SS Flush Hinge (With Screw)	Size	Code	Finish
			SS
	100x37x2.5 MM (SS 304)	BHG6150A SS	310
	100x37x2.5 MM	BHG6150SS SM	245


SS 2 Ball Bearing Hinges (with screw)	Size	Code	Finish	Std. Pkg.
			SS	
 <p>Upto 2 Hour Fire Rated</p>	102 X 76 X 2.5MM	HG 1151 A	430	40
	127 X 76 X 2.5MM	HG 1152 A	510	40
	102 X 76 X 3MM	HG 1153 A	480	40
	127 X 76 X 3MM	HG 1154 A	575	40


Brass Tower Bolt (with screw)	Description	Finish	
		EP	SS/PT
	TR 310 - 03"	300	355
	TR 410 - 04"	480	530
	TR 610 - 06"	620	655
	TR 810 - 08"	750	785
	TR 1010 - 10"	910	945
	TR 1210 - 12"	1075	1125

SS Pin Type Hinge (without screw)	Size	Code	Finish	Std. Pkg.
			SS	
	75X48X1.7MM	HG 2150	70	60
	75X48X2.5MM	HG 2150 H	100	60
	100X58X1.9MM	HG 2151	110	60
	100X61X2.5MM	HG 2151 H	145	60
	125X61X1.9MM	HG 2152	145	60
	125X65X2.5MM	HG 2152 H	185	60

SS Tower Bolt (with screw)	Description	Finish	Std. Pkg.
		SS	
	TS-410 - 04"	135	60
	TS-610 - 06"	200	60
	TS-810 - 08"	245	60
	TS-1010 - 10"	310	60
	TS-1210 - 12"	370	60
	TS-1810 - 18"	585	60

SS 2 Ball Bearing Hinges (with screw)	Size	Code	Finish	Std. Pkg.
			SS	
 <p>NEW</p>	127 X 76 X 2.5MM	HGRC 1152 A	525	40
	102 X 76 X 3MM	HGRC 1153 A	490	40

Kadi Tala	Size	Code	Finish	Std. Pkg.
			NI	
	200 MM	KDT 200 NI	945	10
	275 MM	KDT 275 NI	1050	10

SS 2 Ball Bearing Hinges (with screw)	Size	Code	Finish	Std. Pkg.
			SS	
 <p>Fire Rated Upto 2 Hours</p>	102x76x3mm	HG 1253	460	40